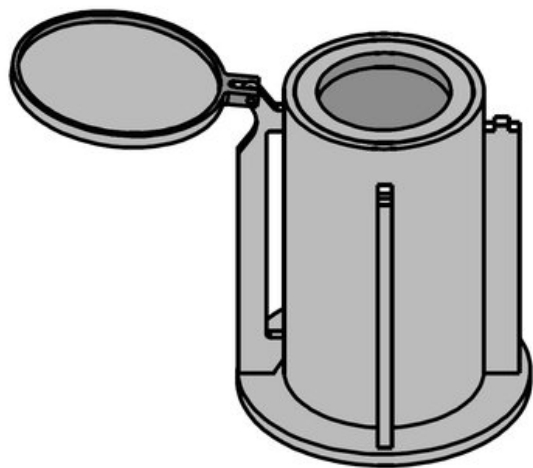


Built-In Concrete Socket for Swivel Davit Crane, Zinc Plated



Product information

Built-in concrete socket with zinc plating, suitable for all Swivel Davit cranes.

Material: Steel

Finish: Galvanized

Part Code	Weight kg
609777001845	6

Blueprint

