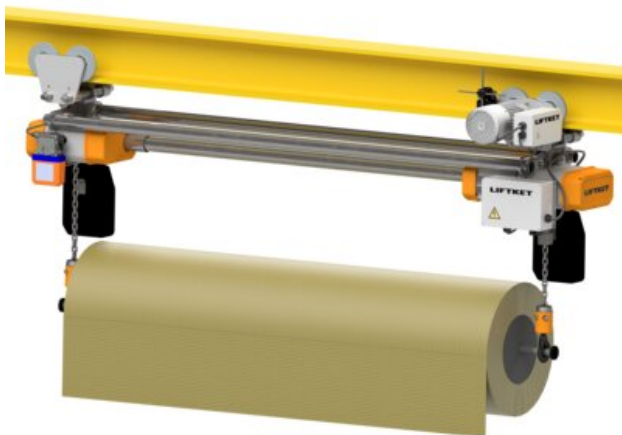


Liftket Hoists Special Solutions

Product information



You need it extra-short? Extra-high? Extra-long? Extra-fast? Extra-customized? Are you looking for single pieces in serial production? Batch size one? Then you've come to the right place at LIFTKET!

Decades of experience, professional ability and our willingness to master any challenge brings our tailor-made applications to life – even when produced in series. You benefit from the best quality and innovative technology. And our own developments and production from a single source render your custom products real.

Your individuality is our reality. Just watch your dreams come to life!

APPLICATIONS FOR INDIVIDUAL SOLUTIONS

Any application deviating from the standard, e.g. foundry

- Power stations
- Food industry
- Modernisation and conversion of old industrial plants
- Pharmaceutical industry
- Water treatment

SPECIAL SOLUTIONS

Selection of flexibly configurable features:

- Lifting height and lifting speeds
- Space heaters
- Special corrosion protection up to C5 in any colour
- All control and operating voltages
- Versions for foundries
- Second hoist brake
- Load measuring equipment
- Extra short chassis
- Trolleys for curved tracks
- Gear-type limit switch with several switching points
- Encoder for positioning and automatic mode

Part Code

5402

I'd like to have more information

Liftket Hoists Special Solutions